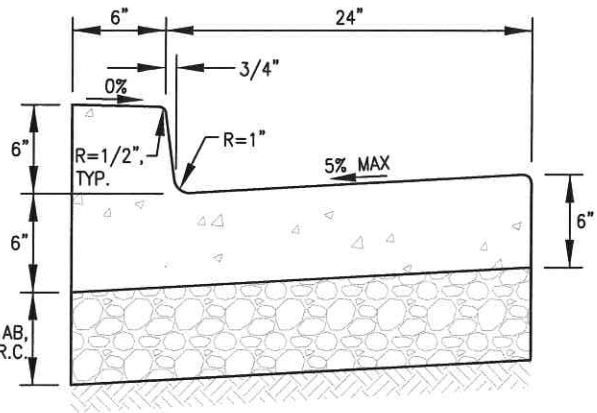
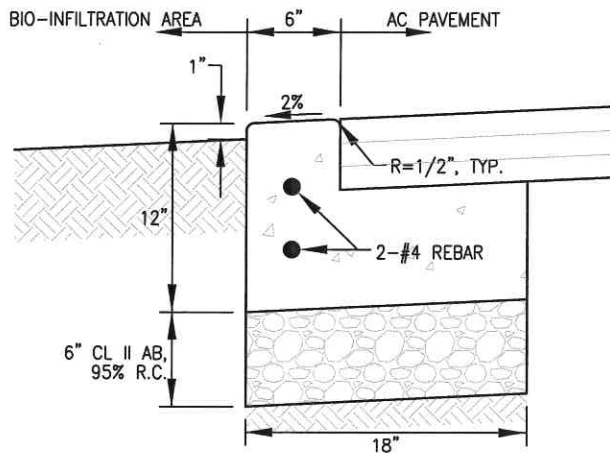


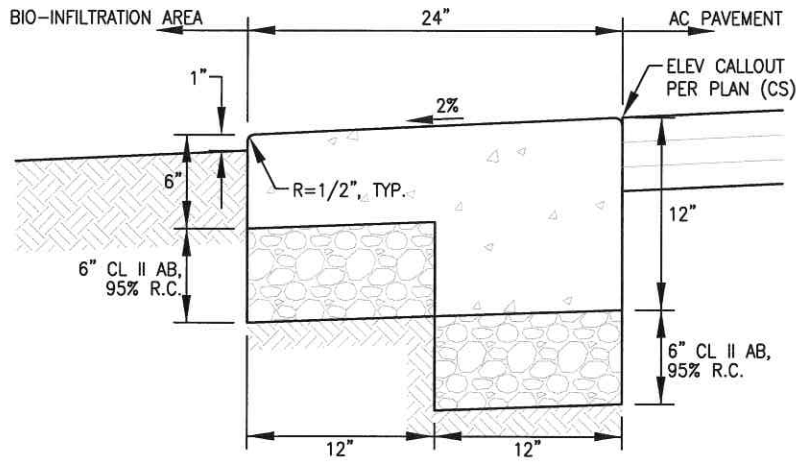
ROLLED CURB AND GUTTER DETAIL



VERTICAL CURB AND GUTTER DETAIL



EDGE BAND DETAIL



COURTESY STRIP DETAIL

NOTES:

1. PCC SHALL BE CLASS A (CONCRETE SHALL CONTAIN APPROX. 564 LBS OF PORTLAND CEMENT PER CY AND HAVE A 28-DAY COMPRESSIVE STRENGTH OF NOT LESS THAN 3000 PSI).
2. INSTALL WEAKENED PLANE JOINTS AT 20' O.C.
3. COMPACT SUBGRADE TO 95% RELATIVE COMPACTION.



CITY OF CAMPBELL  
PUBLIC WORKS DEPARTMENT

APPROVED BY:

*AO*  
AMY OLAY, P.E.  
CITY ENGINEER

DATE:

3/14/22

CURB AND GUTTER DETAILS

J:/DETAILS/CAD/C2

DETAIL  
NO.

C-2

NTS